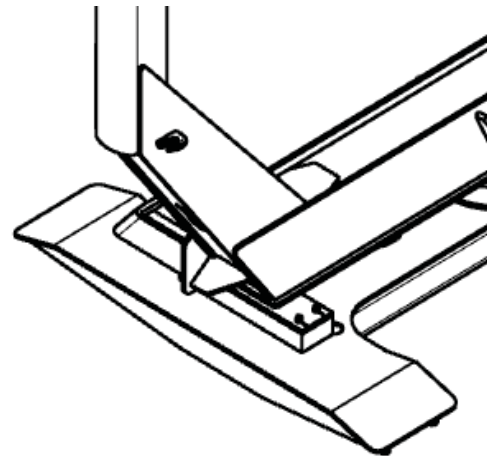
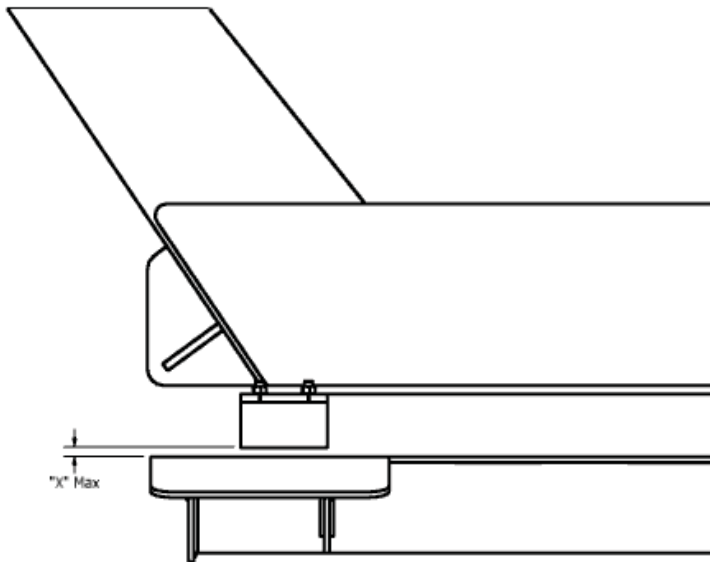


ARCTIC MANUFACTURING LTD.

3323 HART HIGHWAY, PRINCE GEORGE, B.C.
Phone: (250) 962-9631 Fax: (250) 962-7500
www.arcticmfg.com



Bunk Rub-Bar Gap Maximum Allowable Settings



Steel Rub Bars - "X" - Max	"X-Max LH" + "X-Max RH" Less Than or Equal 3/4" (19.05mm) Unladen Measurement
Nylon Rub Bars - "X" - Max	"X-Max LH" + "X-Max RH" Less Than or Equal 5/8" (18.88mm) Unladen Measurement