

# ARCTIC

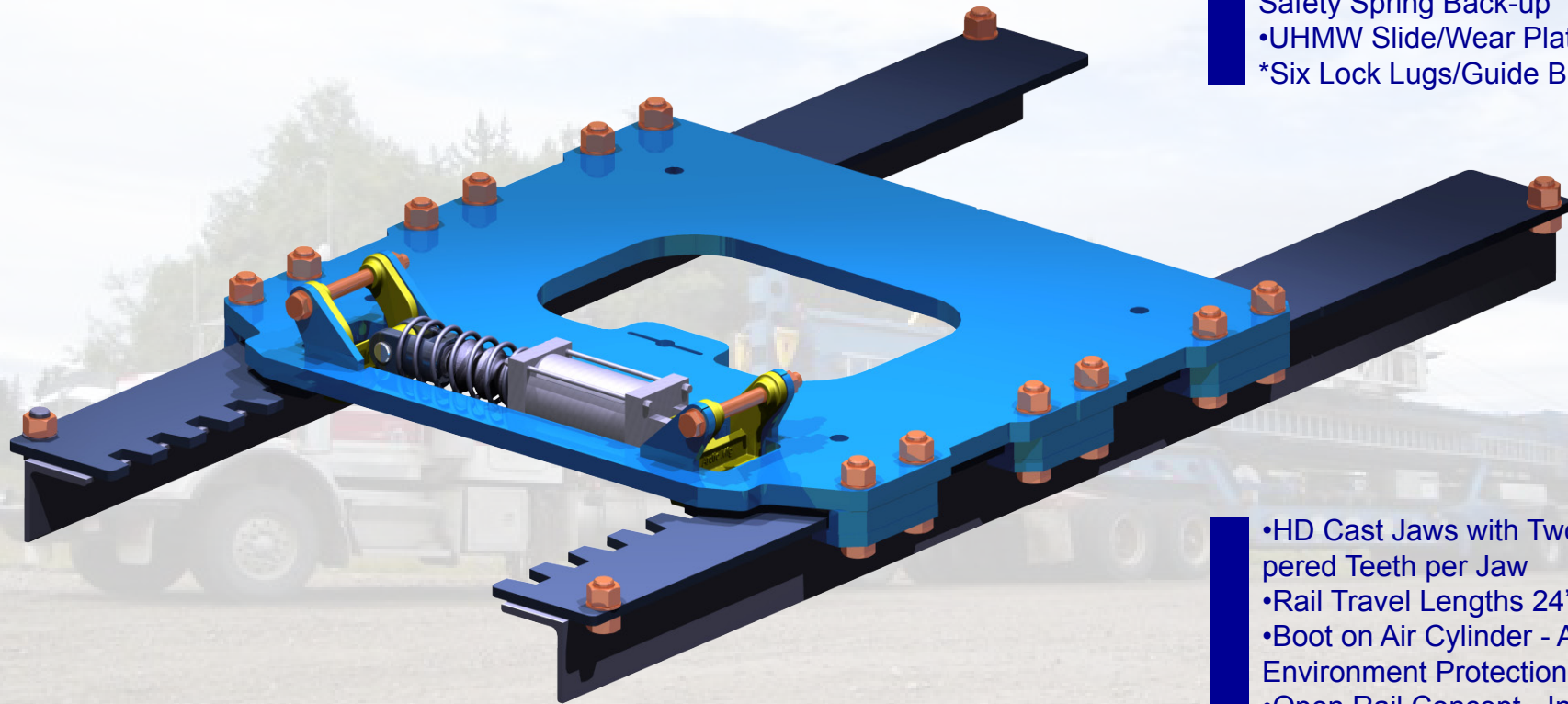
## MANUFACTURING LTD.

3323 HART HIGHWAY, PRINCE GEORGE, B.C.  
Phone: (250) 962-9631 Fax: (250) 962-7500  
www.arcticmfg.com



## AML2420P HD Severe Service Slider

- 1" QT-100 Top Plate
- Double Acting Air-Cylinder c/w Safety Spring Back-up
- UHMW Slide/Wear Plates
- \*Six Lock Lugs/Guide Blocks

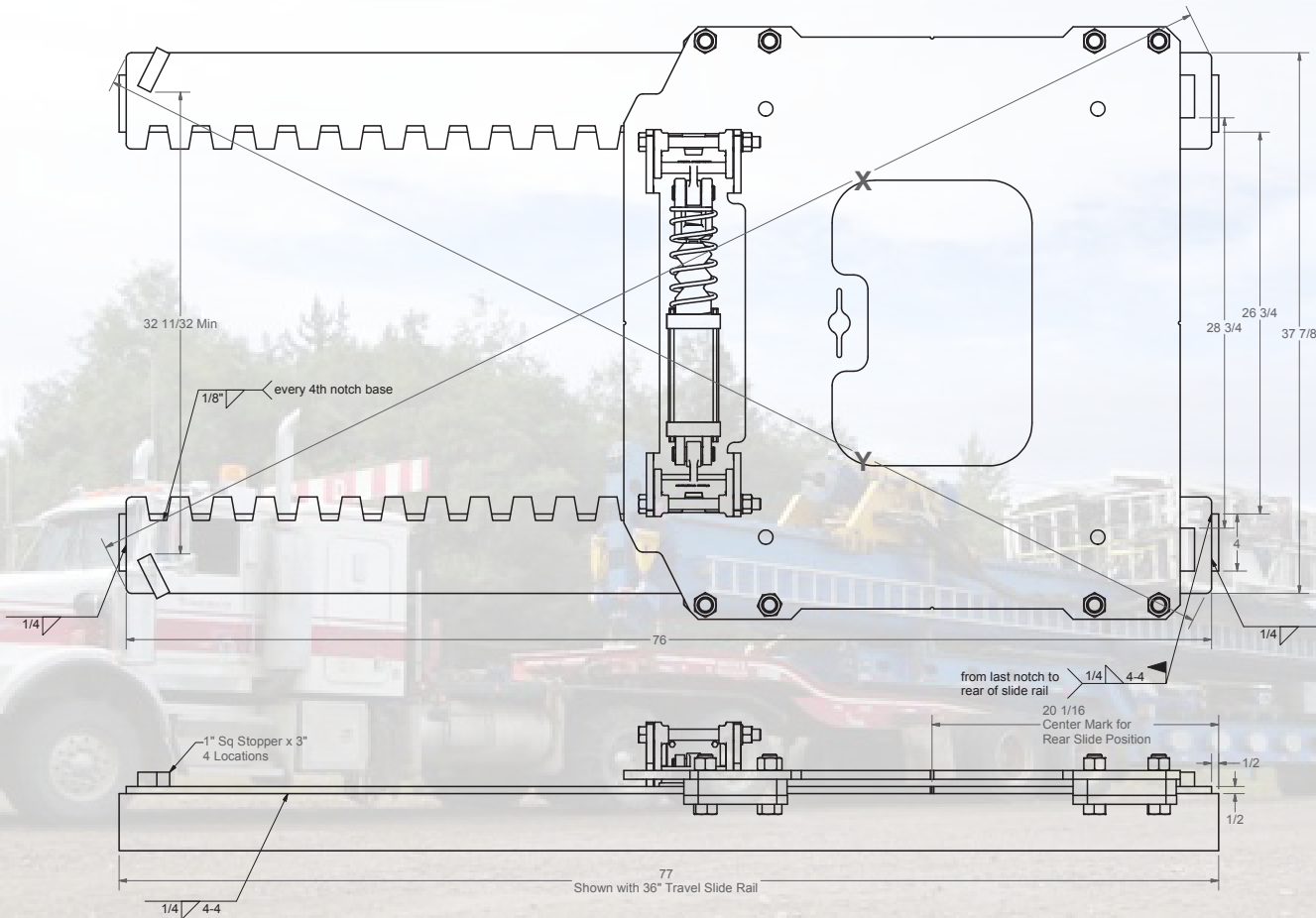


- HD Cast Jaws with Two Tapered Teeth per Jaw
- Rail Travel Lengths 24" - 144"
- Boot on Air Cylinder - Added Environment Protection
- Open Rail Concept - Increased Serviceability on Truck

# Specifications

Weight: Top Plate: 421 lb / 145 kg  
Rails - 36" : 135 lb / 61.2 kg  
48" : 155 lb / 70.2

# AML2420P HD Severe Service Slider



**X must equal Y**  
Mounting Angle Length Requirements: